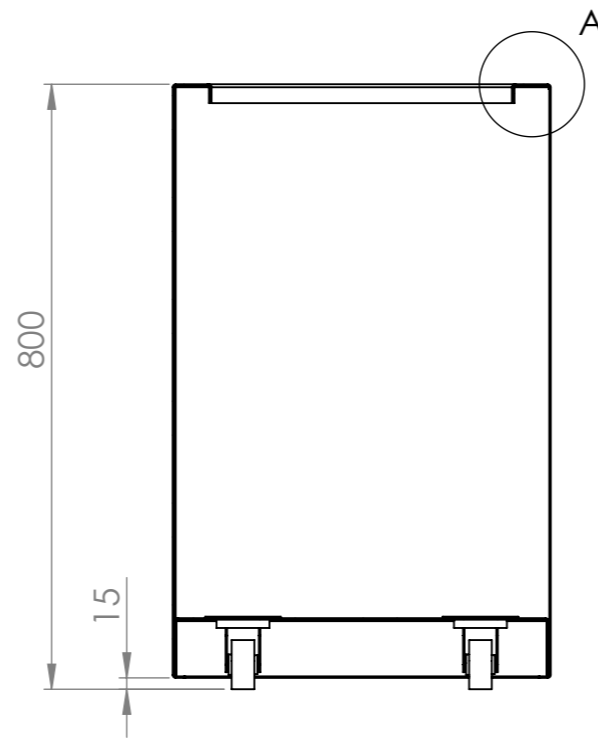
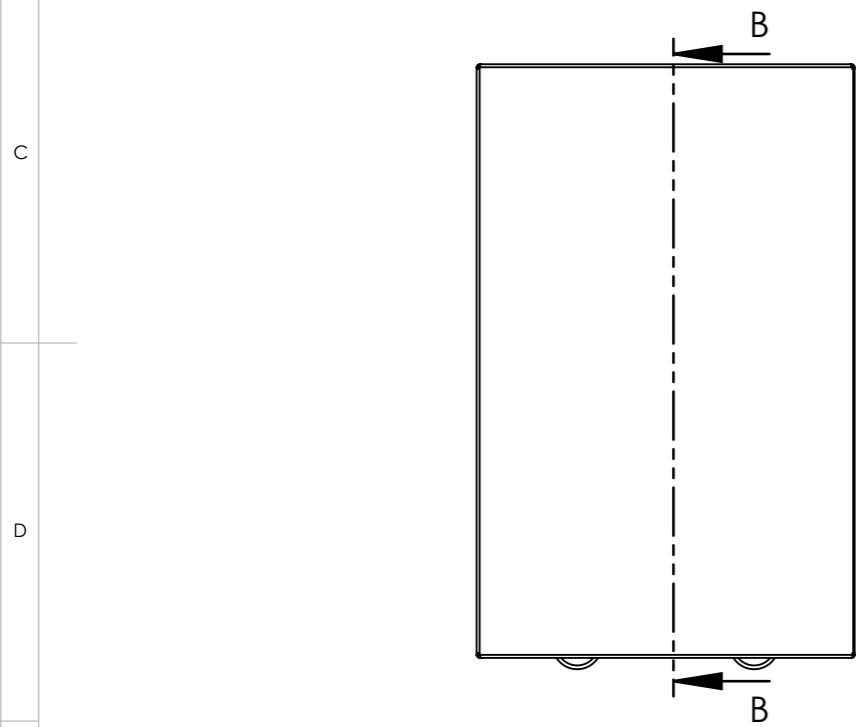
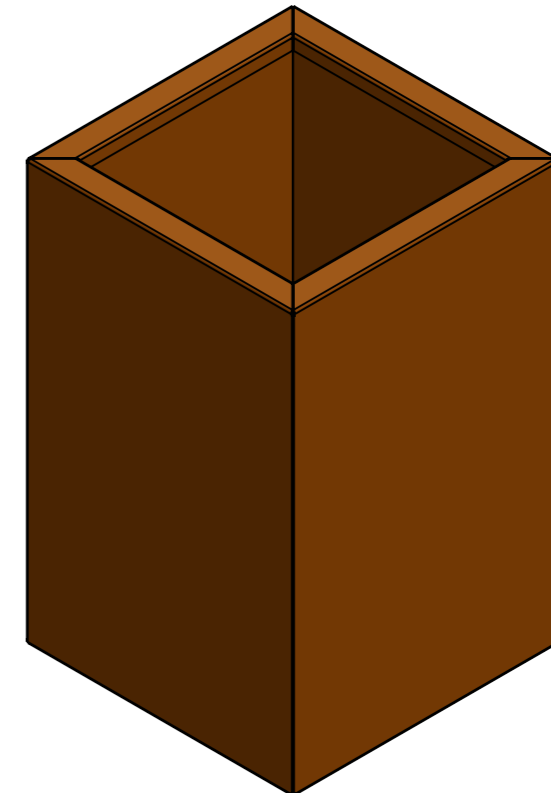
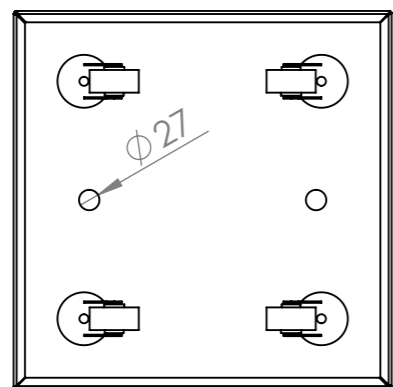
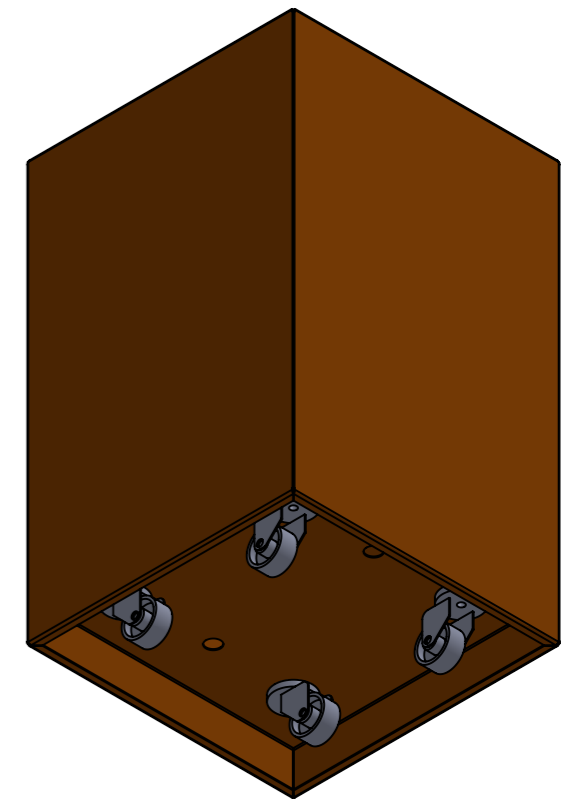


DETAIL A
SCALE 1 : 2



SECTION B-B



DRAWN	Luuk van den Heuvel	DATE	25-9-2020
REVISION	Luuk van der Heuvel	DATE	9-12-2020
		Liessentstraat 4, 5405 AG Uden (NL). t 0031 (0)413 - 27 41 68. e info@adezz.com, i www.adezz.com	
Color:		Mass (kg):	33.55

TITLE:	2mm Corten	
Drawing:	CAWL 9.1 Composition	A3
SCALE:	1:10	SHEET 1 OF 5